



BF - SCP810
MULTI-MODE RADIO
User Manual



Notice to the user

Government law prohibits the operation of unlicensed radio transmitters within the territories under government control. Illegal operation is punishable by fine or imprisonment or both.

THANK YOU !

We are grateful you choose Belfone series professional radio communications products!

Since 1989, Belfone has been engaged in research and exploration in the field of radio communication technology for decades, and has a global leading position in the field of private network communication technology. Based on research and development design, adapt to the modern complex communication environment, It is able to customize specific communication solutions according to different industry characteristics. High-performance, high-quality products that can control the overall situation, while providing smart dispatching and command communication.

This manual is applicable to

BF-SCP810 series



Warning !

- ◆In explosive atmospheres(inflammable gas, dust particles, much powder area, etc.), please turn the power off.

Instructions before Use

It's important for the operator to be aware of and understands hazards common to the operation of any radio .Please observe the following safety precautions to prevent radio damage and personal injury. The following precautions shall be observed during operation, service and repair of this radio.

- ◆The recommended usage rate is 1 minute for TX and 4 minutes for RX, when the radio is used in the transmission mode for many hours continuously, the radiator and chassis will become hot, allow the rear panel of the radio to contact a surface of low melting point /low Ignition point.
- ◆Don't expose the radio to direct sunlight for a long periods of time. Also, don't place the radio on sources of extremely heat, humid, dusty area, or unstable surfaces.
- ◆In areas where the use of radio devices is restricted or warned, please obey the regulation and turn off the radio.
- ◆Use of the radio while driving may be against traffic laws in some countries, please check the local traffic laws before using the radio while driving.
- ◆If there are any problems with the radio, please turn the radio off immediately. Then contact with the local dealer/technician. Do not modify this radio unless instructed by this manual. Please find a certified technician to repair it.
- ◆If secondary development is required, please contact Belfone or the local dealer for technical assistance.
- ◆Please keep the surface of radio clean and dry. To clean the radio, use a damp fabric soaked in mild washing liquid.

Contents

Unpacking and Device Inspection	01
Installation of Accessories.....	02
Getting Acquainted.....	07
Specifications	09
Statement	10

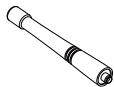
Unpacking and Device Inspection

Note: The following instructions regarding unpacking are only for BelFone's distributors, and service agencies or factories authorized by BelFone.

After carefully unpacking the radio, identify the items listed in the table below. If any items are missing or have been damaged during shipment please contact dealer or BelFone immediately.

Accessories

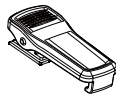
Items	Quantity
Antenna	1
Strap	1
Belt Clip	1
Charger	1
Charging cable	1
Li - ion Battery	1
User Manual	1
Warranty Card	1
Certificate	1



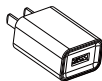
Antenna



Strap



Belt Clip



Charger



Charging cable



Li - ion Battery

Installation of Accessories

Install/Remove the Antenna

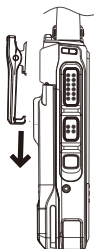
Hold the antenna base, screw it into the connector on the top of the radio until fasten.

Turn the antenna anti-clockwise to remove it.



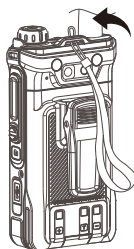
Installation/ removal of the belt clip

Align the belt clip with the groove on the back of the radio and press it down.



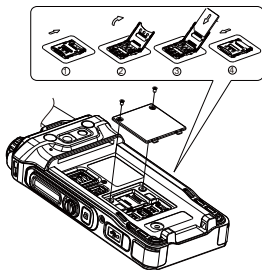
Installation/ Removal of the Strap

Thread the hand strap to the loop back of the radio.



Installation of SIM Card

Remove the protective cover on the surface of the radio before installation. The radio supports the installation of dual cards. Slide to the left to open the card slot lock, confirm that the SIM card chip is facing downwards and the SIM card's diagonal angle is consistent with the direction of the card slot, insert it into the SIM card slot on the radio, adjust it to the appropriate position, slide to the right to lock the lock, and finally cover the protective cover to install the radio battery.



Note:

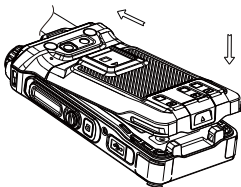
- Before removing or inserting the SIM card, please power off the radio first;
- Do not bend the card and keep the metal chip clean;
- To protect the metal chip, do not frequently remove the SIM card from the radio.

Installation/ removal of the Battery

Warning!

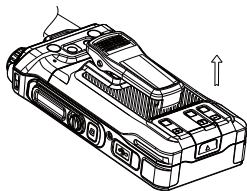
- Don't short-circuit the battery, which may cause damaged or catch fire;
- Never attempt to remove the casing from battery, the battery terminals may short circuit;
- Battery is flammable objects, don't throw it into fire or don't use it on dangerous area.

Match the guides of the battery with the corresponding grooves on the upper rear of the radio, then press the battery until a click is heard to lock it in place.



To remove the battery, please turn the power off then press the latch to unlock the battery and pull the battery away from the radio.

Note: Don't attach / remove the battery if the radio is powered on.



Battery Information

The new battery hasn't been fully charged before shipped, please charge more than 5 hours at the first use. The maximum battery capacity and performance is achieved after three full charge/discharge cycles. If the battery power runs low, please recharge the battery.

Applicable Battery

To reduce the risk of injury, please only use the battery and charger specified by Belfone, other batteries may burst, causing bodily injury and property damage.

Battery Tips

1. When charging the battery, keep it at a temperature among 5°C—40°C. Temperature out of the limit may cause battery leakage or damage.
2. Prior to charge a battery with the radio, it is recommended to turn the radio off.
3. Avoid cut off the power supply or remove the battery during charging.
4. Please ensure that the battery is charged in a dry state before charging.
5. Please change the battery when working time is shorten than normal performance even if the battery is fully charged.

Extend Battery Life

- 1.The battery performance will be decreased under 0°C. Please prepare a spare battery in cold weather. A battery not work properly in a cold environment does not mean that it is damaged. Please keep the battery and reconfirm at room temperature.
- 2.The dust on the battery contact point may cause battery faulty, please cleaning it by a dry cloth before using.

Battery Storage

- 1.Fully charge a battery before storing it for a long time, to avoid battery damage due to over-discharge.
- 2.Recharge a battery after several months' storage, to avoid battery capacity reduction due to over-discharge.(NI-MH batteries:3 months, Li-Ion& Li-polymer batteries: 6 months)
- 3.Store the battery in a cool, dry place under room temperature, to reduce self-discharge.

Charging the battery

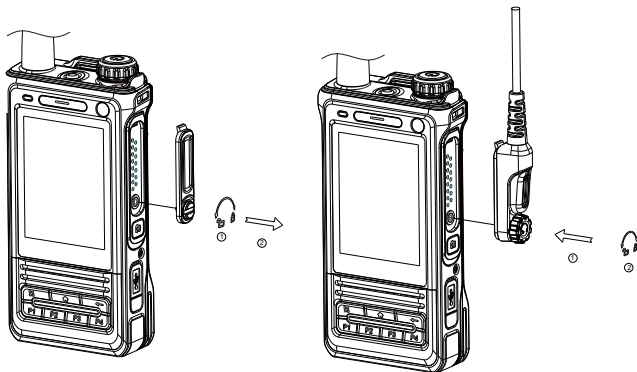
Use only the charger specified by the manufacturer.

Charge Steps:

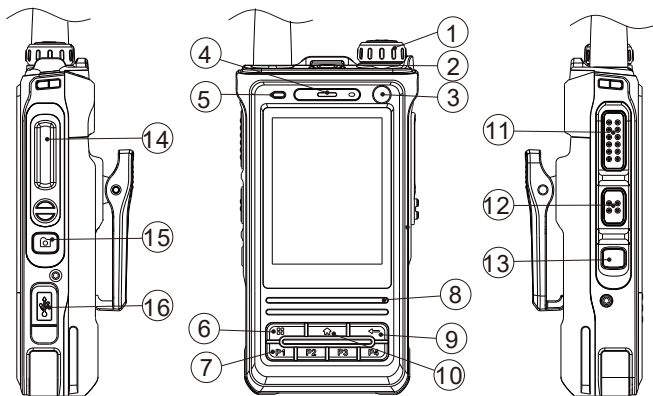
- 1.Plug the AC connector of the switching power into the AC outlet socket.
- 2.Plug charging cable TYPE C interface into the charging interface of the radio.
- 3.The charging process initiates when the radio LED indicator glows red.
- 4.After charging 90%, the terminal LED indicator turns green.

Installation of the Speaker/Microphone

Open the accessory jack cover, then align the plug with the accessory jack and tighten the screw on the plug.



Getting Acquainted



Power switch/volume adjust keys

- ◆ In the power off state, press and hold the button for about 2-3 seconds to power on the radio;
- ◆ When powered on, press and hold the button for about 2-3 seconds to choose between power off or restarting the radio;
- ◆ After powered on, short press this button to wake up or turn off the radio screen;
- ◆ After powered on, rotate clockwise to increase volume and anti-clockwise to decrease volume.

Emergency alarm button *

Short press to send SOS emergency alarm for help; Short press again to cancel the SOS emergency alarm. (Private Network)

Front Camera

Speaker

LED Indicator

- ◆ In the power off state, when inserting USB for charging, the LED will glow red during charging and it will glow green after charging 90%.
- ◆ In the power on state, when inserting USB for charging, the LED will flash red during charging and it will flash green after charging 90%.
- ◆ When the radio transmitting the LED will glow red; when receiving the LED will glow green; when standby the LED will flash green.
- ◆ When the battery level is below 15%, the LED will flash red.

Note: When a SIM card is not installed, the LED will not flash when standby.

Confirm Key

Custom Keys

P1, P2, P3, P4 is custom keys.

Microphone

Back Key

Short press the key to return to the previous menu level.

Home Key

Short press to return to the home screen, long press to enter the background manager.

① PTT1 Key*

Press to initiate a private call to the current public network contact, and release the key to stop the call. (Factory preset)

⑫ PTT2 Key *

Press to initiate a group call to the current public network contact, and release the key to stop the call. (Factory preset)

⑬ Side Button

Custom buttons

⑭ MIC/SP Jack

Connect to optional speaker and MIC.

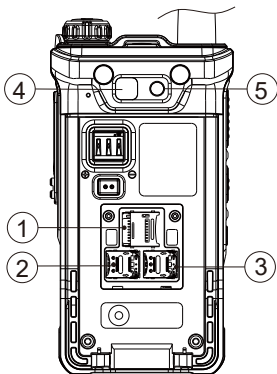
⑮ Camera Button

Short press to enter the camera, long press to enter the video camera.

⑯ Type-C Interface

Connect the charging and data cable interface.

Note: According to the customer's adaptation requirements for the application, the PTT keys and custom keys may differ at the factory.



SD Card Slot
Using Micro SD card.

SIM Card Slot 1
Using Nano SIM card.

SIM Card Slot 2
Using Nano SIM card.

Rear Camera
Flash Lamp

Specifications

Wireless Data Communication	
Private network frequency	136-174MHz 350-400MHz 400-480MHz Support customization
Public network frequency	TDD-LTE: B38/B39/B40/B41 FDD-LTE: B1/B3/B5/B8 WCDMA: B1/B5/B8 TD-SCDMA: B34/B39 GSM: B2/B3/B8 CDMA: BC0
WLAN	Support 802.11 b/g/n, 2.4G
BT	Support BT4.0
NFC	Support customization
Positioning	GPS/ Beidou/GLONASS
General	
Memory (RAM+ROM)	2GB+16GB
SD extended storage	32GB Max
Operating system	Android 8.1
Display screen	2.88 inches, 480 * 640 resolution, supports glove touch
Card slot	2x Nano SIM card 1x Micro SD card
Camera	Front: 5 million pixels Rear: 8 million pixels
Operating Voltage	3.7V(Rated)
Battery	4000mAh removable
Compass	Support
Gyroscope	Support
Vibration function	Support
Dimensions (L×W×H)	72 (L) * 34(W)* 130 (H)mm
Weight	286g(include battery)

General specifications for private networks	
Working mode	Digital compatible analog
Channel spacing	12.5KHz/25KHz
Zones	64
Channel capacity	1024
Contact	1024
Receiving group	256
RF output power	High 2W Low 1W
Environmental Specifications	
Operating Temperature	-20°C—+60°C
Storage Temperature	-30°C—+70°C
Waterproof	IP68

Note: This product supports customized pure public network versions, which do not support private network frequency bands. If needed , please contact with the manufacturer.

Statement

This manual is compiled to be accurate and complete for operator' s use. For any doubt, please contact with Belfone. The company will give the professional answers. As radio communication technologies develop rapidly, Belfone reserves the right to change product design and specification without prior notice to consumers.



Belfone

FUJIAN BELFONE COMMUNICATIONS TECHNOLOGY CO.,LTD.

Add: A-15 Huaqiao Economic Development Zone,
Shuangyang,Luojiang,Quanzhou,Fujian,China

Tel: +86 595 28396717

Fax: +86 595 22771635

Email: overseas@belfone.com

Website: www.belfone.com



RECYCLABLE PACKAGING