



BF-TR925

PORTABLE PROFESSIONAL DMR REPEATER

- IP68 for water and dust protection
- Rugged and robust, designed as per MIL STD 810F/G
- Advanced privacy with AES256/ARC4 digital encryption
- Flexible and power self-adaptive by different installation
- Inbuilt GPS, convenient position tracking(optional)
- Power-on password to ensure information security
- ID Authentication for Air Interface

Belfone
Communications for Efficiency and Safety



OVERVIEW

As a multi-functional backpack repeater in BelFone BMC System, BF-TR925 incorporates IP68 protection, robust military exterior, good heat dispersion, and flexible modular design to help mission critical users handle all kinds of tough environments. It can provide supplementary network coverage for the system fixed base station, and it can also operate independently as a repeater.

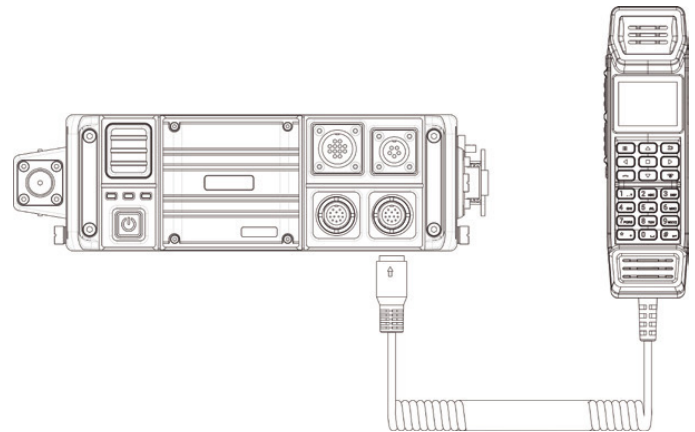
HIGHLIGHTS AND BENEFITS

Multi Working Mode, Highly Integrated

- DMR base radio (DMR Tier I, II)
- Analog base radio
- PSTN gateway (working with BF-TC981)

DMR and Analog Base Radio/
PSTN Gateway (working with BF-TC981)

1. Connect with remote controller microphone BF-TC981 to enjoy PTT function as a DMR or analog radio.
2. Support 4G SIM card to realize public network phone call.



Versatile and Ease of Fixing

Manpack mounted

Put a battery and manpack with holder for portable repeater, manpack can put extra battery for emergency backup use

Vehicular/Desktop mounted

Put a vehicular hub with AC/DC power supply and vehicular antenna, repeater will worked as vehicular repeater/base radio by DC 13.8V(± 15%) or AC(80-264V)

Modular hardware design

Modular hardware design for easy maintenance and repairing, only change the faulty modules without changing the complete repeater if faulty founded

Versatile Connectivity to Suitable for Challengeable Situations

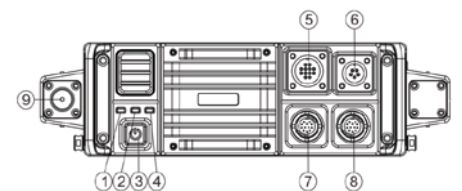
- 4G wireless communications link
- Narrowband communication link
- Satellite communication link
- IP connectivity for multi sites connection (optional)

Versatile and Ease of Fixing

Only ID-authenticated legitimate terminals can activate repeaters for voice and data service forwarding, thus avoiding illegal users from stealing and occupying channel resources and affecting normal communications.

FEATURES AND DETAILS

- IP68 for water and dust protection.
- Rouge and robust, designed as per MIL STD 810F/G.
- Advanced privacy with AES256/ARC4 digital encryption.
- Flexible and power self-adaptive by different installation.
 - Manpack with battery mode (with manpack kit, output power 3-15W).
 - Desktop/vehicular mode (with AC/DC mounting kit, output power 5-25W).
- IP connectivity for multi sites connection (with specialized Ethernet cable).
- Full duplex communication as DMR base radio (with remote control microphone).
- Inbuilt GPS, convenient position tracking(optional).
- Self-destructing function to turn data to dust on command in case of information leakage.
- Power-on password to ensure information security.



1	A Repeater Working State
2	B Repeater Working State
3	Power Switch/Power Indicator
4	Network Indicator
5	ACC Port
6	Lan Port
7	Palm Mic Port
8	Program Port
9	Antenna Port 1

APPLICATION



Forestry and
Fire Prevention



Fleet
Communication



Emergency Rescue



Counter Terrorism

STANDARD ACCESSORIES



Folding High
Gain Antenna



Rechargeable Battery
(16AH/185WH)



Programming Cable



Battery Fast Charger

OPTIONAL ACCESSORIES



Aerial Ethernet Cable



Remote Controller
Microphone



Rechargeable
Battery (30AH/345WH)



Manpack with
Mounting Holder



Vehicular Hub with
AC/DC Power Supply



Flexible Repeater
Antenna

SPECIFICATION

General

Frequency range	VHF: 136-174MHz / UHF: 350-400MHz / 400-480MHz / 450-520MHz
Region	TR925L: 128 TR925M: First-level regions: 4 / Second-level regions: 3000 / Third-level regions: 3000
Number of channels	TR925L: 2048 TR925M: 3776
Channel spacing	12.5KHz / 25KHz
Antenna impedance	50Ω
Operating voltage	Vehicle-mounted: DC13.8V(±15%), negative grounded Manpack type: 10.8-12.6V
Current consumption	< 9A
Operating environment	-30°C ~ +70°C
Storage temperature	-40°C ~ +85°C
Volume	330mm(L)*218mm(W)*88mm(H)
Weight	≤6kg

Emission

RF power	Vehicle-mounted: 5-25W (continuous emission) / Manpack type: 3-15W (continuous emission)
Frequency stability	≤ ±0.5ppm (without positioning) / ≤ ±0.02ppm (with positioning)
4FSK digital modulation	12.5KHz only data: 7K60FXD / 12.5KHz data and voice: 7K60FXW
Power of adjacent channel	≤60dB
Spurious emission	-36dBm<1GHz / -30dBm>1GHz
Digital voice encoder	AMBE

Receiving

Sensitivity	3%BER≤0.35uV
Frequency stability	≤ ±0.5ppm (without positioning) / ≤ ±0.02ppm (with positioning)
Adjacent channel selectivity	≥60dB
Intermodulation immunity	≥70dB
Spurious response	≥70dB
Blocking	≥95dB
Rated audio output power	2W(8Ω)

Environmental Specifications

Working Temperature	-30°C~+70°C
Storage Temperature	-40°C~+85°C
Vibration & Shock	MIL-STD-810G Standard
Humidity	MIL-STD-810G Standard
Dustproof & waterproof	IP68

Fujian BelFone Communications Technology Co., Ltd

Add: A-15 Huaqiao Economic Development Zone, Luojiang, Quanzhou, Fujian, China

Email: overseas@belfone.com

Phone: +86 595 28396717

Fax: +86 595 22771635

Belfone
Communications for Efficiency and Safety

Dedicated to increasing the efficiency and reliability of missioncritical communications, BelFone is always on the way to offer responsive, flexible and reliable products. For more information about our products and solutions, contact us or visit us at www.belfone.com.

